

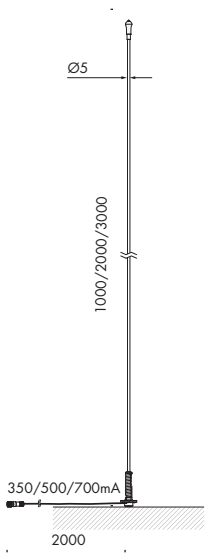



IP65 rated light fitting for indoor and outdoor use.
made of a diameter Ø5mm carbon fibre rod, it can be fixed to the ground with a AISI 316L stainless steel stake or directly to a 140x140mm powder coated iron square bases for outdoor use.
versions:
lucciola h.1000mm, h.2000mm, h.3000mm,
wired with 3000K led source up to 2.2W 130lm.
constant current power supply not included, to be installed remotely.
transparent glass diffuser for indoor use and transparent silicone diffuser suited for outdoor use, thanks to its thermal and mechanical resistance, included.
accessories: covers, power supplies, cc derivation hub.
finishes: brown carbon fibre



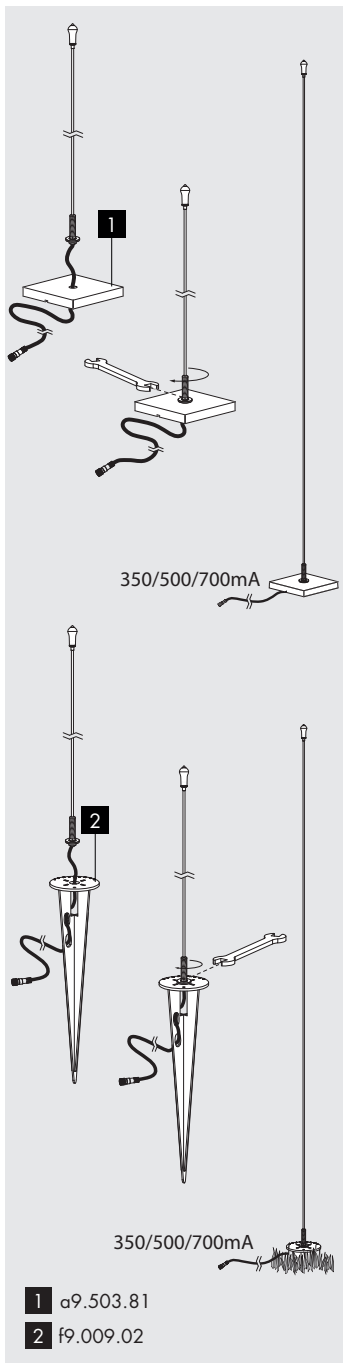
lucciola   IP65   CE 

| | | | | |
|-------------------|---------------|-------|--------|-----|
| Vb4.503.01 | bruno · brown | 3000K | 1000mm | 0,5 |
| Vb4.503.02 | bruno · brown | 3000K | 2000mm | 1 |
| Vb4.503.03 | bruno · brown | 3000K | 3000mm | 1,5 |



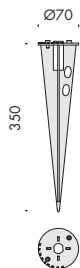
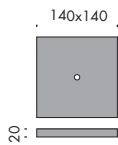
| Ra | ies tm-30 | | sdc | mA | V _f (min) | lm | W | lm/W |  |
|-------|-----------|---------|---------------------------|---------|----------------------|-----|-----|------|---|
| 90 | Rf 90 | Rg 100 | step 2 | 350 | 3,0 | 79 | 1 | 79 | A++ |
| | | | | 500 | 3,0 | 104 | 1,5 | 70,3 | A++ |
| | | | | 700 | 3,0 | 130 | 2,2 | 59 | A+ |
| ca041 | les2 | Ta25 °C | vita media · average life | 50000 h | L80 | B10 | | | |





1 a9.503.81

2 f9.009.02



components.



a9.503.81 night black base

2,5

f9.009.02 ground fixingpeg

0,7

Ø22



cappucci. covers.



a9.503.90 vetro trasparente · transparent glass 0,1

a9.503.94 silicone trasparente · transparent silicone 0,1

Ø20



alimentatori. power supplies.

240V 50-60Hz



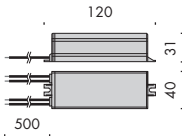
IP67

CE



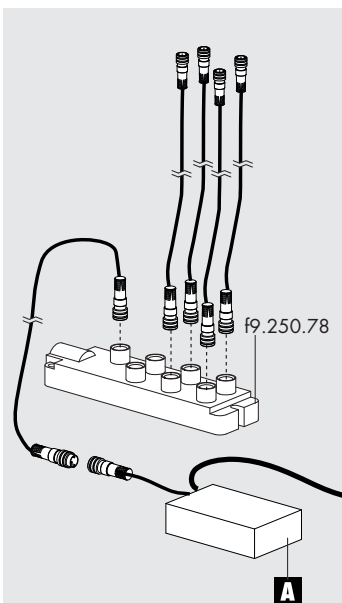
t4.411 con connettore m8 tensione sul secondario 3-52V 15W 350mA 0,2
with m8 connector voltage on the secondary

t4.412-2 con connettore m8 tensione sul secondario 3-36V 18W 500mA 0,2
with m8 connector voltage on the secondary



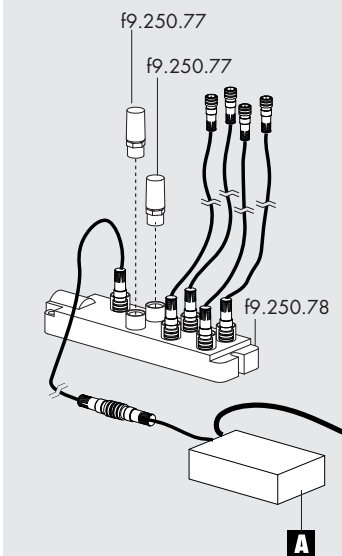
Remote class 2 constant current driver to be located in a dry and accessible area. Please wire fixtures in series max 10 lights per driver





cavi con connettore femmina m8. cables with m8 female connector. IP65 ☆ CE i

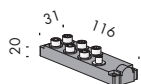
| | | |
|------------------|---------|------|
| f9.250.70 | 150mm | 0,01 |
| f9.164.86 | 2000mm | 0,1 |
| f9.164.87 | 5000mm | 0,2 |
| f9.164.88 | 10000mm | 0,3 |



cavi con connettori m/f m8. cables with m/f m8 connectors. IP65 ☆ CE i

| | | |
|------------------|---------|-----|
| f9.250.72 | 2000mm | 0,1 |
| f9.250.73 | 5000mm | 0,3 |
| f9.250.74 | 10000mm | 0,5 |

attenzione: è obbligatorio inserire f9.250.77 in tutte le derivazioni non utilizzate
 please note: it is compulsory to insert f9.250.77 in all the not used shunts



Contractor can chose to hard wire with soldering and heat shrink or use connection bars

sistema di derivazione corrente costante. cc derivation hub. ☆ CE i

| | | |
|------------------|--|-----|
| f9.250.78 | con 6 connettori femmina +1 connettore maschio m8 with 6 female connectors +1 male connector m8 | 0,1 |
| f9.250.77 | tappo maschio bypass per f9.250.78 male bypass caps | 0,1 |

